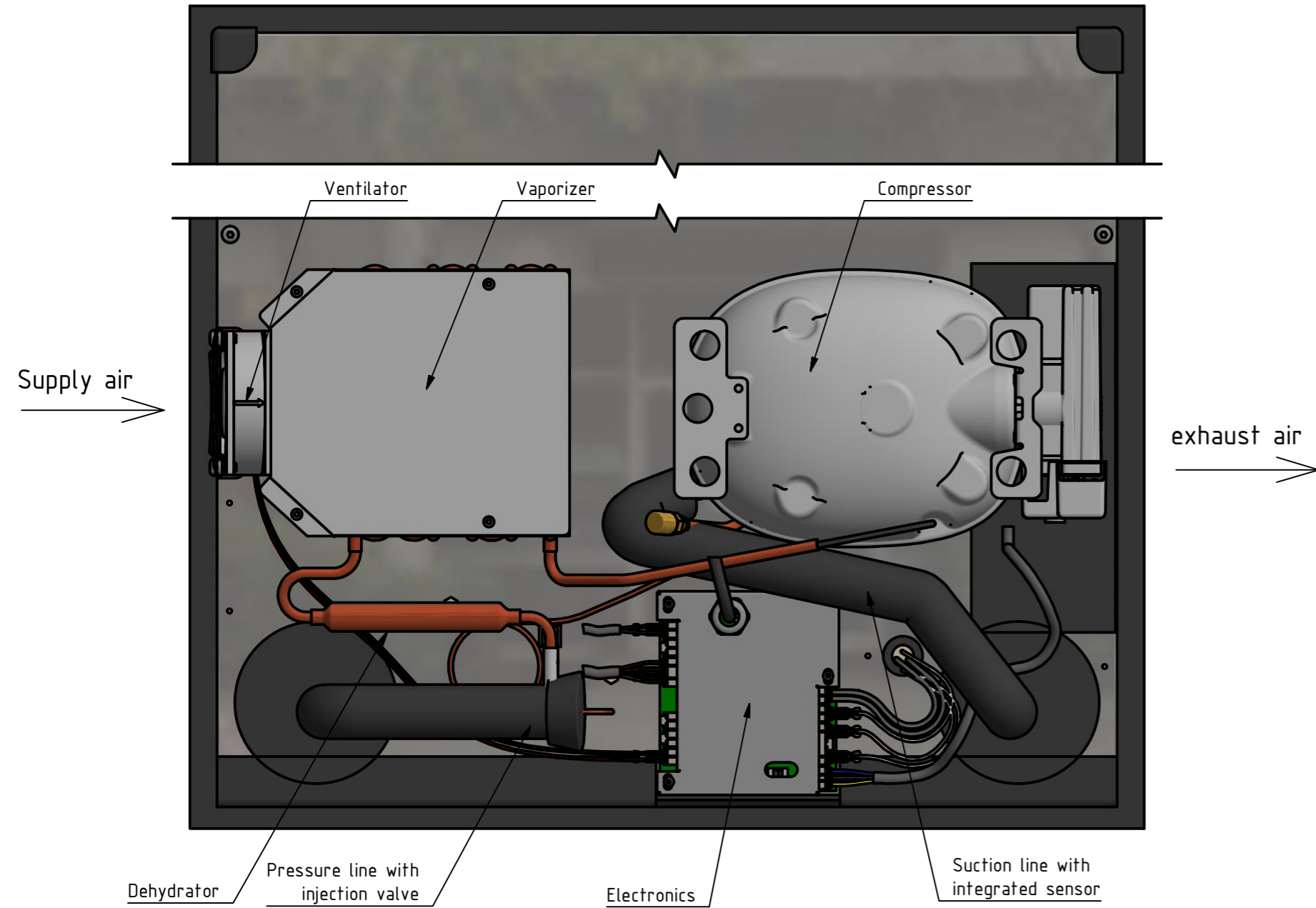
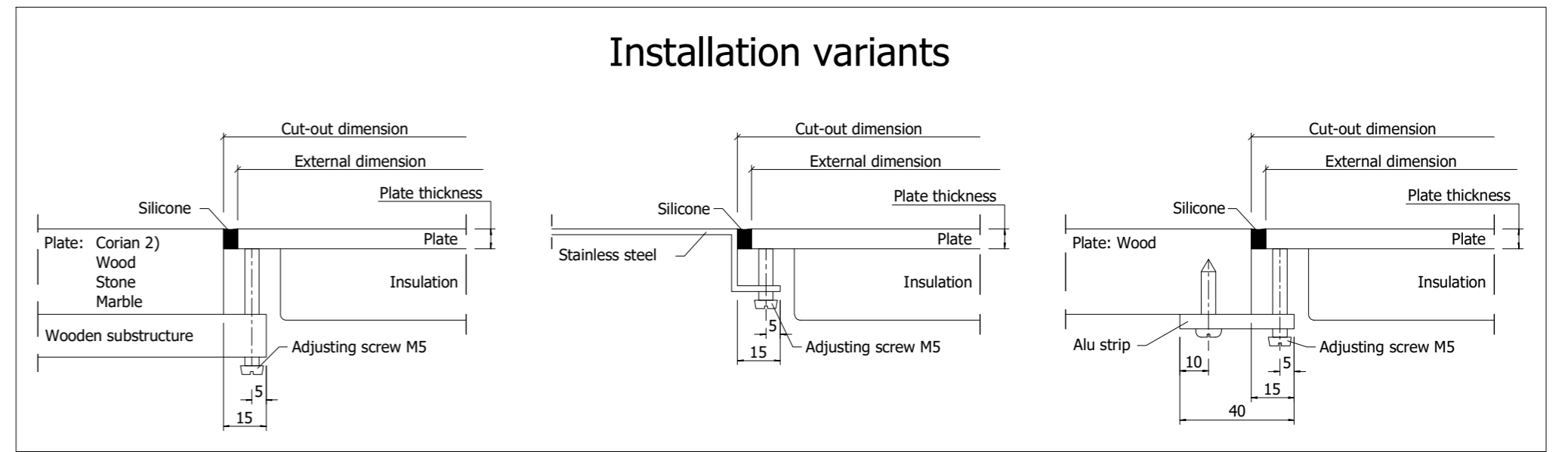
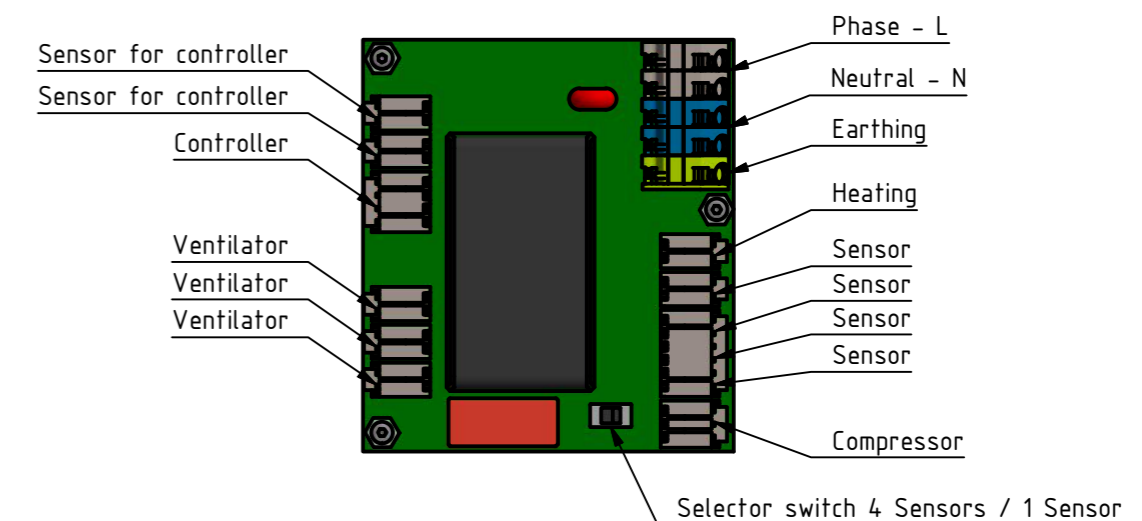


Installation variants



Circuit board (1 : 2)



1) Cut-out measurement = plate dimension + circumferential expansion gap of 5mm
 2) Cut-out measurement Corian = plate dimension + circumferential expansion gap of 7mm
 3) External display. These displays are optional and have to be provided by the client.

Special Requirement:
 The supply air and exhaust air must be ensured in the compact units!

Format overview			
Format	External dimensions	Cut-out dimensions 1)	Cut-out dim. Corian 2)
GN 1/1	330 x 530	340 x 540	344 x 544
GN 2/1	660 x 530	670 x 540	674 x 544
GN 3/1	990 x 530	1000 x 540	1004 x 544

	Date	Name	Material:
	drawn: 21.08.2018	MK	Surface
	checked: 21.08.2018	JH	/ Colour:
Article description: CCP			
Part description: GN 2/1			
Sheet size: A2	Scale: 1 : 5	Drawing number: 10200000	Rev.: