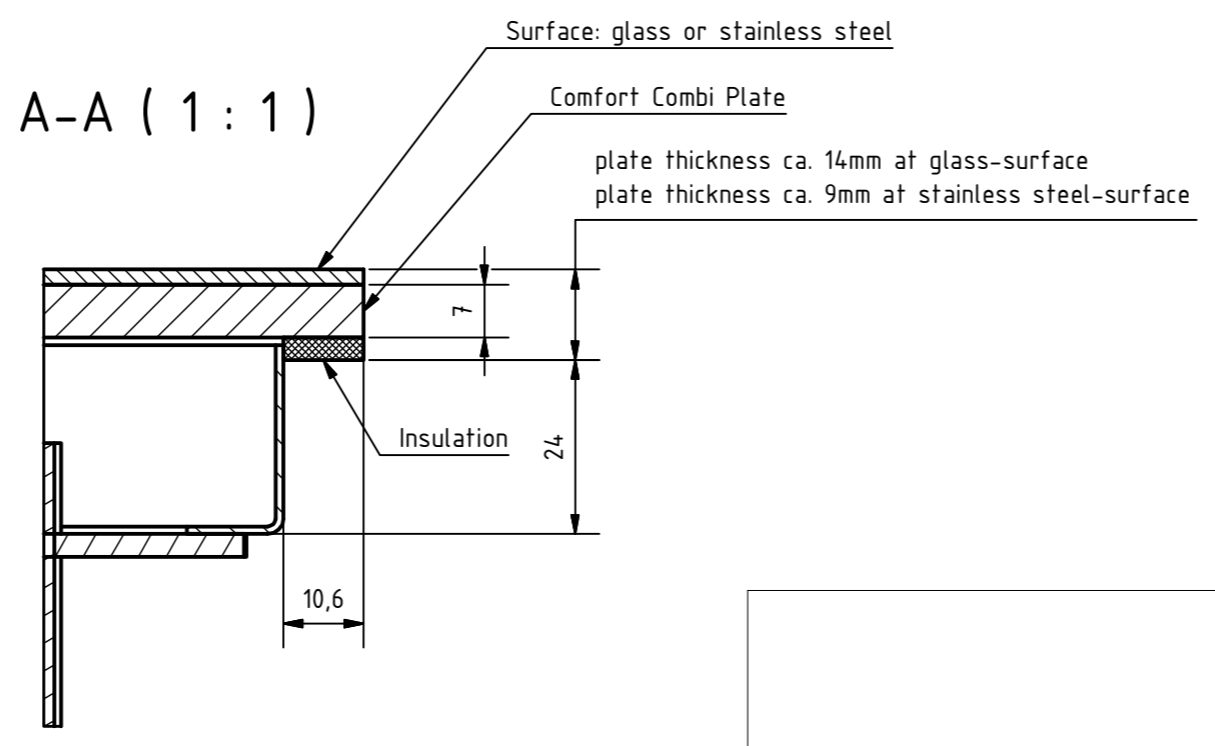
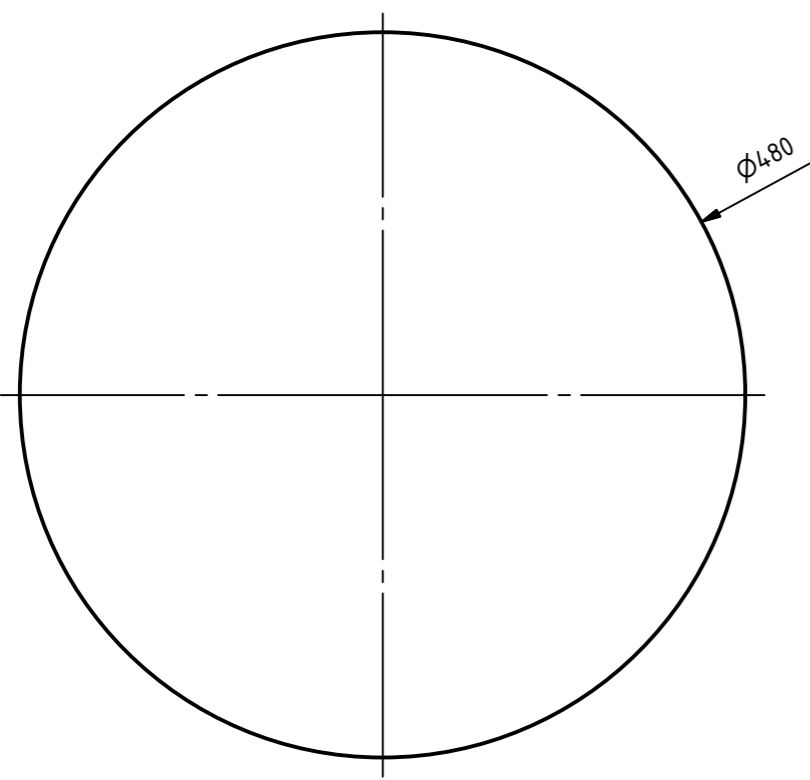


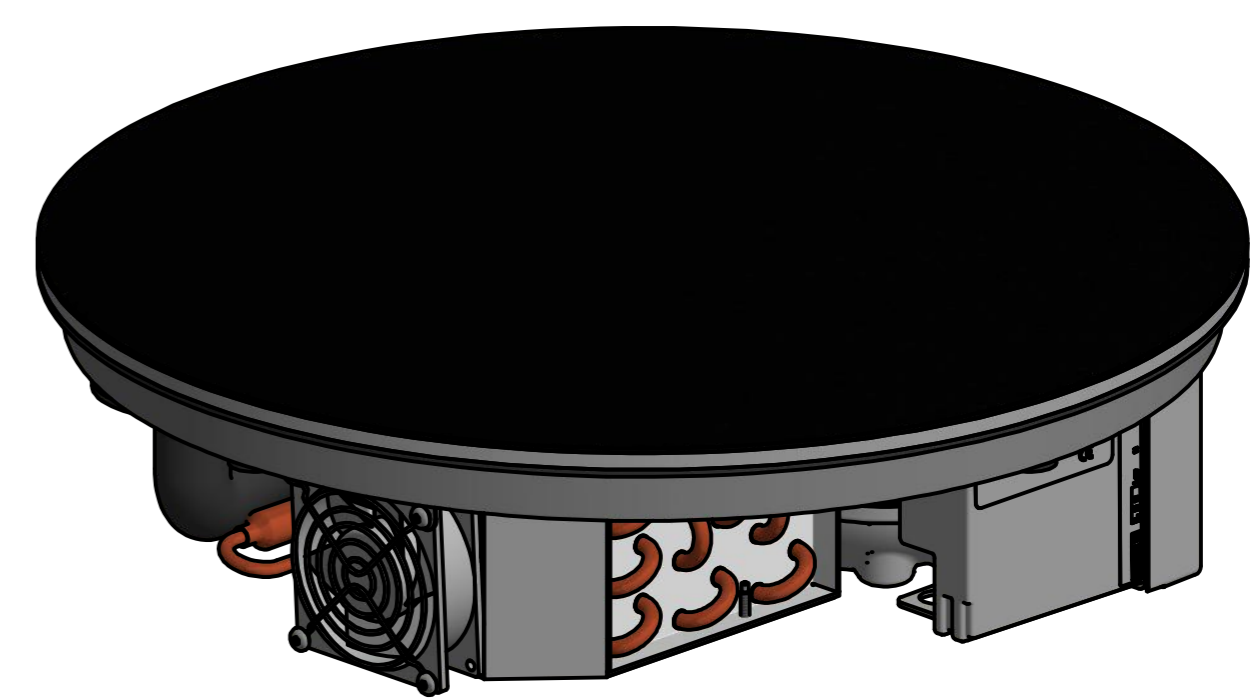
Installation height min. 160mm



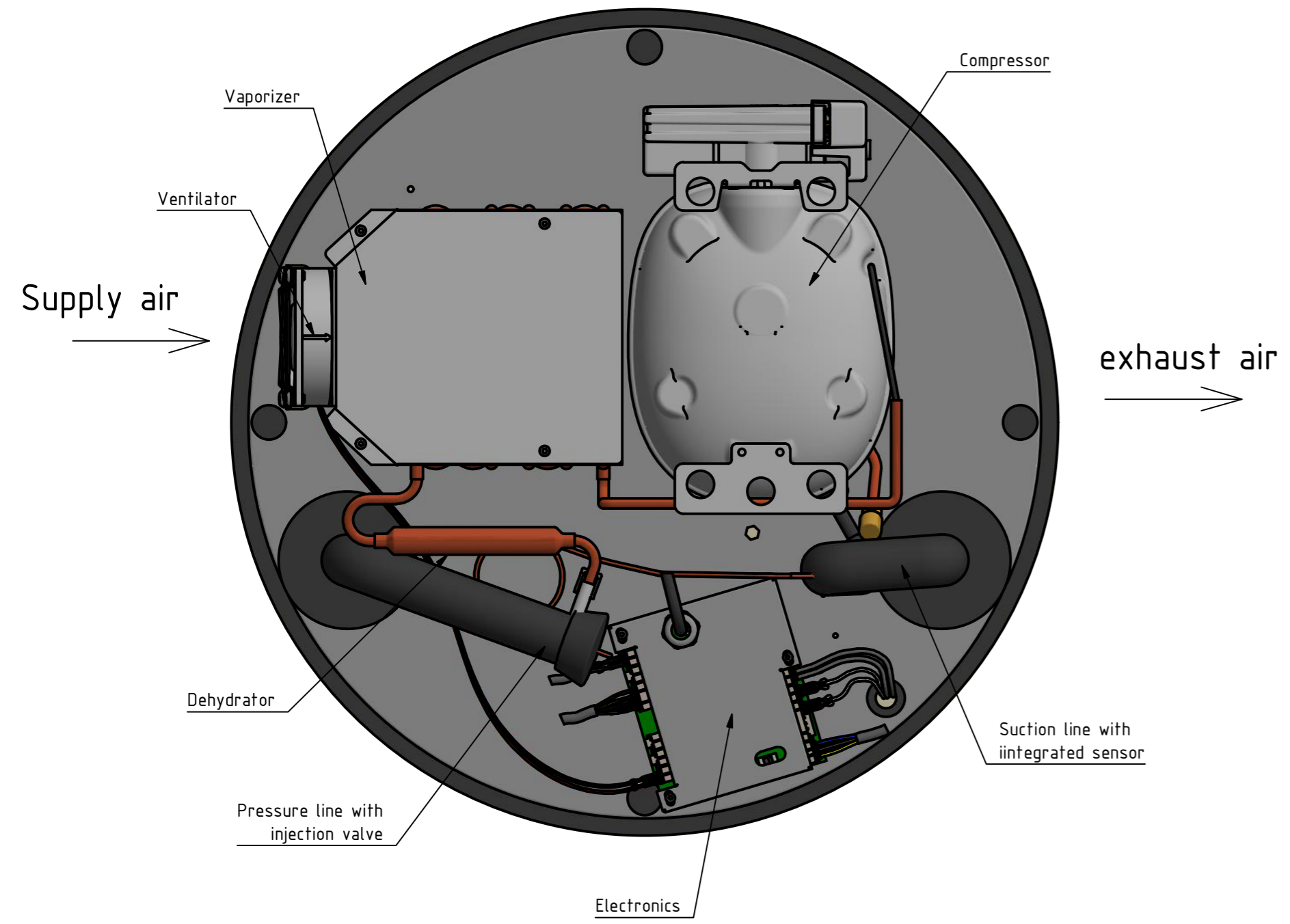
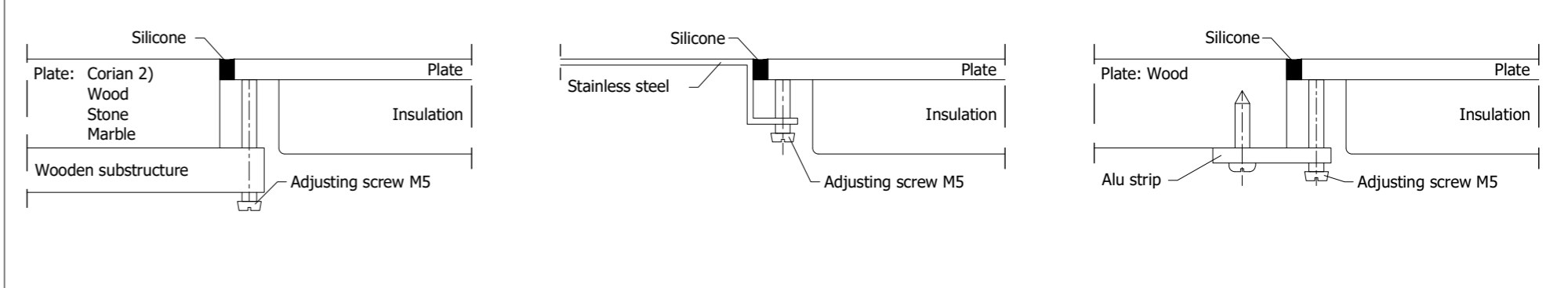
Surface: glass or stainless steel

Comfort Combi Plate

plate thickness ca. 14mm at glass-surface
plate thickness ca. 9mm at stainless steel-surface



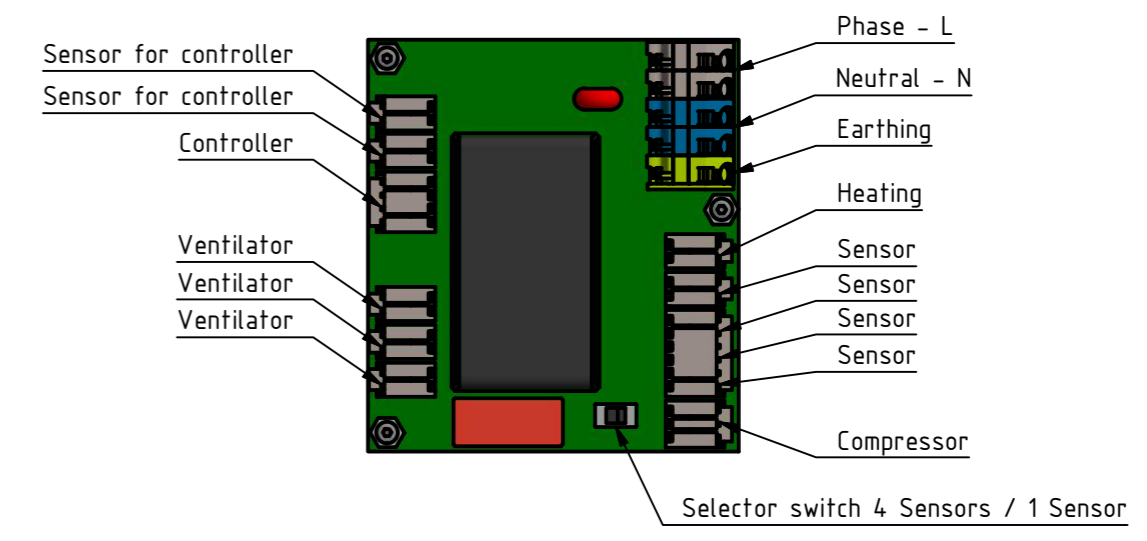
Installation variants



Supply air

exhaust air

Circuit board (1 : 2)



- 1) Cut-out measurement = plate dimension + circumferential expansion gap of 5mm
- 2) Cut-out measurement Corian = plate dimension + circumferential expansion gap of 7mm
- 3) External display. These displays are optional and have to be provided by the client.

Special Requirement:
The supply air and exhaust air must be ensured in the compact units!

Format overview		
External dimension	Cut-out dimension 1)	Cut-out dim. Corian 2)
Ø480	Ø490	Ø494

	Date	Name	Material:
	drawn: 23.08.2018	MK	Surface
	checked: 23.08.2018	JH	/ Colour:
	Article description:		
CCP Round			Part description:
Consider protection frank ISO 16016 Further applicable standards: General tolerances ISO 2768 - m			480
Sheet size:	Scale:	Drawing number:	Rev.:
A2	1 : 5	10500000	