

SAFETY FEATURES

a. - Firebreak

Prevents flames and sparks to leave the oven and cools down the exhaust gases

b. and f. - Shut down vents

Control of the oven and emergency shut down

c. - Door handle

Stainless steel door handle
Stays cool during operation

d. - Insulation

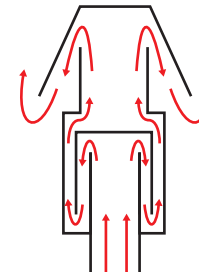
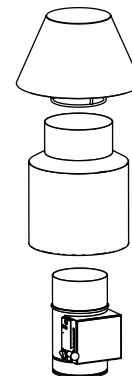
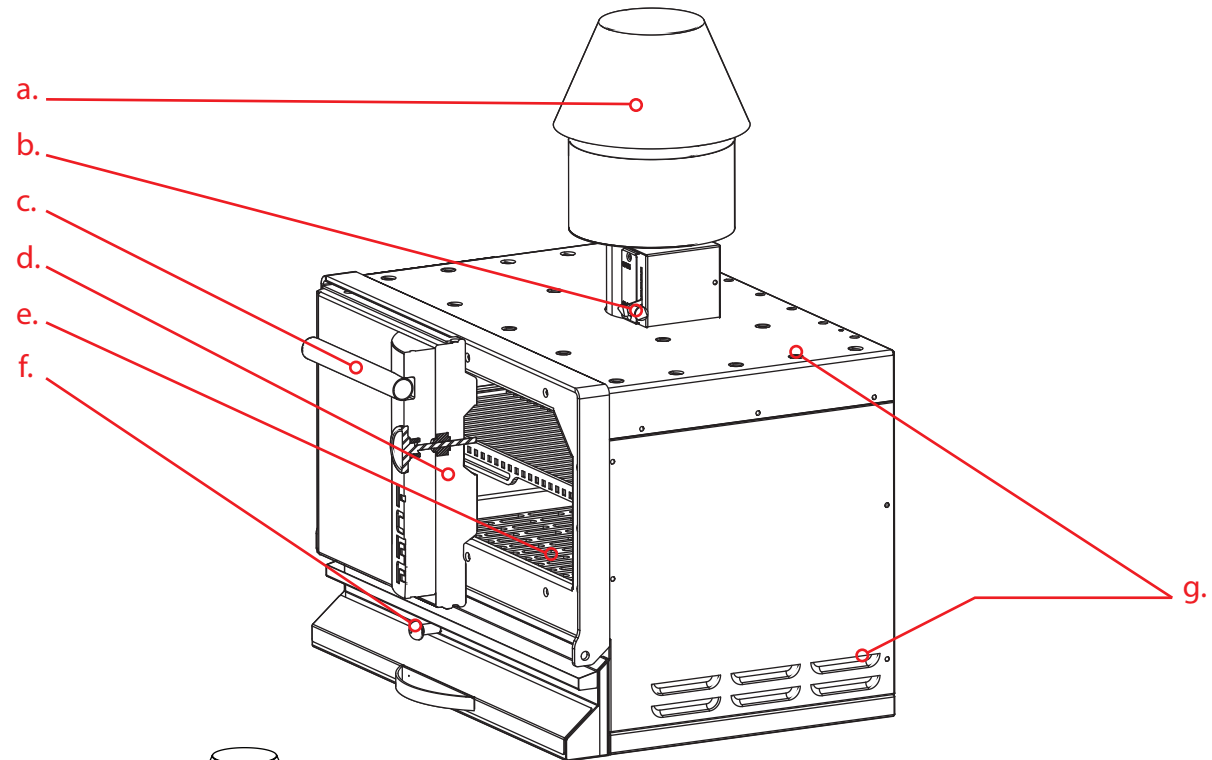
Oven is insulated and can be, apart of the door frame, touched during operation.

e. - Cooking in enclosed environment

Prevents flames and flare ups.
Reduces heat load on cook and reduces stress in the kitchen

g. - Ventilation holes

Enable cool air circulation around the oven core and reduce temperature of the oven surface



Exhaust fumes movement inside of the Firebreak