



## Temptainer Basic Tower

Temptainer Basic is the new generation of high-quality stainless steel boxes from Hallins. The aim is the same as before – to create the absolute best conditions to preserve the essence of good food, all the way from kitchen to table.



temptainer®  
BY HALLINS

Temptainer Basic Tower is a compact solution for transporting both hot and cold food at the same time. A smart and well-insulated construction in combination with the proper technology ensures that the food quickly gets and maintains the required temperature until serving.

The trolley is made entirely of stainless steel for the best possible hygiene, durability and longevity. It has the same good features, performance and functionality as the previous generation.

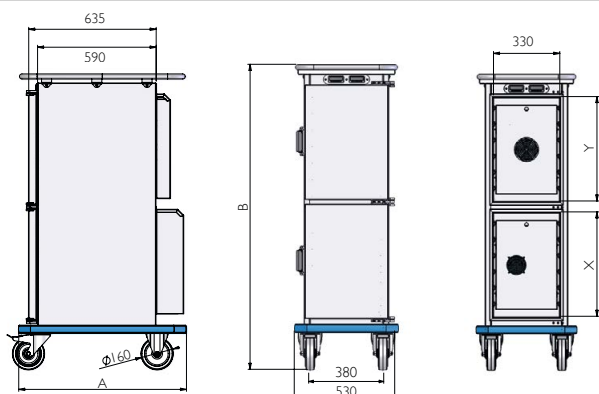


Temptainer Basic Tower is available in several different combinations of convection heating, neutral, compressor or Peltier cooling. The heating and cooling units are located in the back of the trolley which provides optimal air circulation and temperature as well as simple service and maintenance. The trolley is equipped with large ball-bearing castors for easy maneuvering. Can be used as a flexible complement to the Single model.



ACCESSORIES: Vertical steering handle, central brake, 200 mm castors, tow bar, foil.

	NEUTRAL + HEATING	HEATING + HEATING	HEATING + Peltier COOLING	HEATING + COMPRESSOR COOLING	COMPRESSOR COOLING + COMPRESSOR COOLING
Product code	M6000066ADA M6000086ADA	M6000066AAA M6000086AAA	M6000066ACA M6000086ACA	M6000066ABA M6000086ABA	M6000066BBA M6000086BBA
Number of guides	6+6 / 8+6	6+6 / 8+6	6+6 / 8+6	6+6 / 8+6	6+6 / 8+6
Capacity GN containers	6+6 x 1/1-65 or 3+3 x 1/1-150, 8+6 x 1/1-65 or 4+3 x 1/1-150	6+6 x 1/1-65 or 3+3 x 1/1-150, 8+6 x 1/1-65 or 4+3 x 1/1-150	6+6 x 1/1-65 or 3+3 x 1/1-150, 8+6 x 1/1-65 or 4+3 x 1/1-150	6+6 x 1/1-65 or 3+3 x 1/1-150, 8+6 x 1/1-65 or 4+3 x 1/1-150	6+6 x 1/1-65 or 3+3 x 1/1-150, 8+6 x 1/1-65 or 4+3 x 1/1-150
Distance between guides, mm	80	80	80	80	80
Capacity, max liter	60+60 / 80+60	60+60 / 80+60	60+60 / 80+60	60+60 / 80+60	60+60 / 80+60
Weight, kg	75 / 80	85 / 90	86 / 91	96 / 101	105 / 110
Electrical connection	220-240V AC/ 50-60 Hz / 1100 W	220-240V AC/ 50-60 Hz / 2200 W	220-240V AC/ 50-60 Hz / 1380 W	220-240V AC/ 50-60 Hz / 1380 W	220-240V AC/ 50-60 Hz / 560 W
Upper cabinet	Convection heating	Convection heating	Convection heating	Convection heating	Compressor cooling
Heat up time	15 minutes	15 minutes	15 minutes	15 minutes	-
Cool down time to +3°C (at +25°C)	-	-	-	-	15 minutes
Lower cabinet	Neutral	Convection heating	Peltier cooling	Compressor cooling	Compressor cooling
Heat up time	-	15 minutes	-	-	-
Cool down time to +3°C (at +25°C)	-	-	40 minutes	15 minutes	15 minutes
Cooling capacity dT = ambient - inside trolley temp.	-	-	dT = max 22°C	-	-
Thermostat	Digital adjustable (heat)	Digital adjustable	Digital adjustable	Digital adjustable	Digital adjustable
Insulation	min 40 mm CFC-free polyurethane	min 40 mm CFC-free polyurethane	min 40 mm CFC-free polyurethane	min 40 mm CFC-free polyurethane	min 40 mm CFC-free polyurethane
Castors	160 mm, 2 fixed, 2 steering w brakes	160 mm, 2 fixed, 2 steering w brakes	160 mm, 2 fixed, 2 steering w brakes	160 mm, 2 fixed, 2 steering w brakes	160 mm, 2 fixed, 2 steering w brakes
Temperature indicator	Digital (heat)	Digital	Digital	Digital	Digital
Safety class	IP 55 inside, IP 21 outside	IP 55 inside, IP 21 outside	IP 55 inside, IP 21 outside	IP 55 inside, IP 21 outside	IP 55 inside, IP 21 outside
Material	EN 1.4301, polyuretan	EN 1.4301, polyuretan	EN 1.4301, polyurethane	EN 1.4301, polyurethane	EN 1.4301, polyurethane
Depth (A), mm	770 / 770	770 / 770	880 / 880	880 / 880	880 / 880
Height (B), mm	1475 / 1635	1475 / 1635	1475 / 1635	1475 / 1635	1475 / 1635
Height inside (X/Y), mm	520 / 520, 520 / 680	520 / 520, 520 / 680	520 / 520, 520 / 680	520 / 520, 520 / 680	520 / 520, 520 / 680



Constant Temperature Retention



Hygienic



Stainless



Climate Smart

Hallins Sales AB  
Fabriksvägen 1  
SE-599 33 Ödeshög

Tel +46 144 153 00  
e-mail support@hallins.com  
hallins.com

**HALLINS**